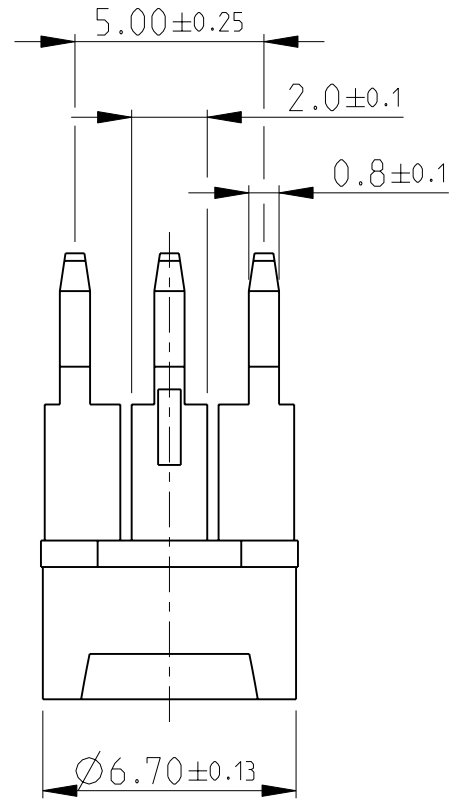
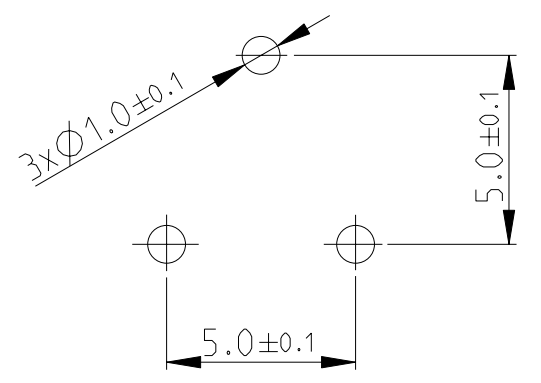


THIS DRAWING IS UNPUBLISHED. RELEASED FOR PUBLICATION 2008
 © COPYRIGHT 2008 BY TYCO ELECTRONICS CORPORATION. ALL RIGHTS RESERVED.

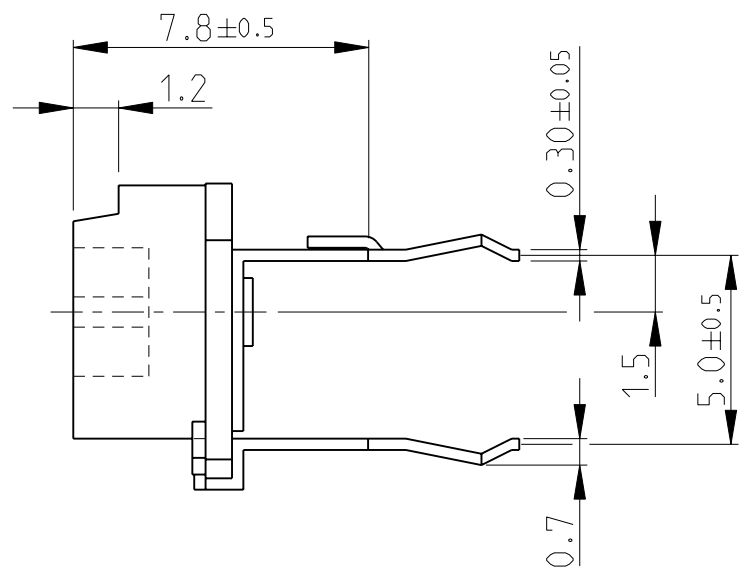
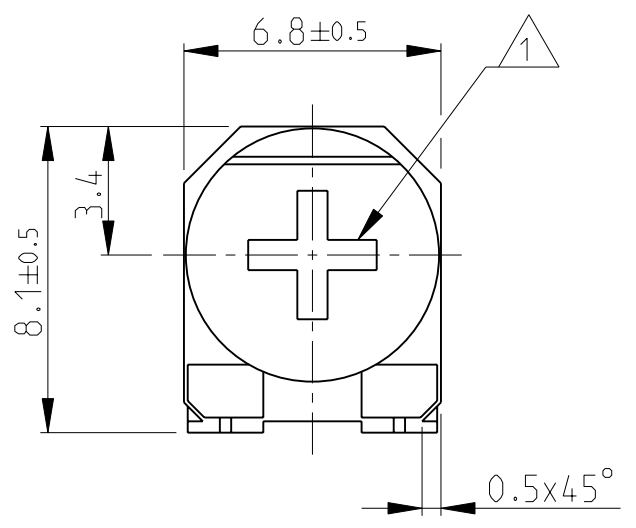
LOC	DIST	REVISIONS			
P	LTR	DESCRIPTION	DATE	DWN	APVD
E	B	BA	NEW RELEASE	27-NOV-08	SM St.P



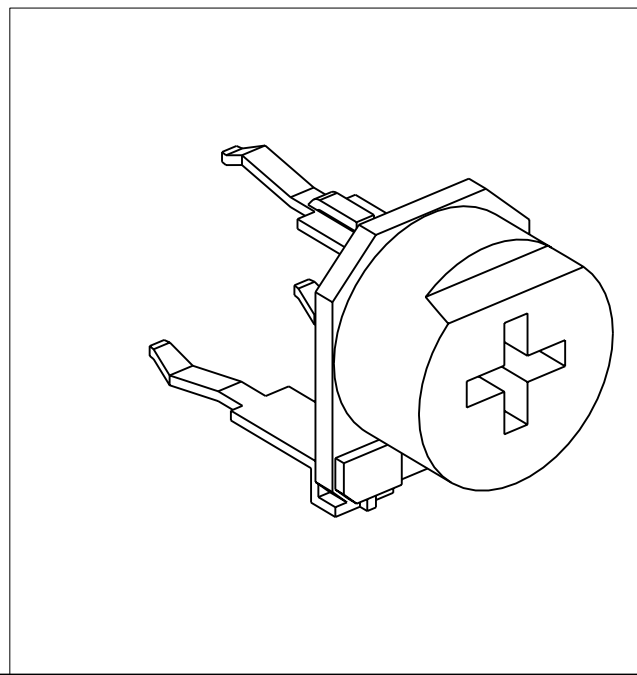
PCB LAYOUT PLAN



1 ADJUSTMENT HEAD: CROSS SLOT- 0.8x3.4, Depth-2
 2 FOR FURTHER INFORMATION SEE DATA SHEET FOR 416 SERIES-ECONOMY TRIMMERS



RoHS Compliant



<small>THIS DRAWING IS A CONTROLLED DOCUMENT FOR TYCO ELECTRONICS CORPORATION IT IS SUBJECT TO CHANGE AND THE CONTROLLING ENGINEERING ORGANIZATION SHOULD BE CONTACTED FOR THE LATEST REVISION.</small>		DWN	SUBHASH.M	27-NOV-08	Tyco Electronics Corporation Dorcan, Swindon, SN3 5HH					
DIMENSIONS: mm		CHK	PRAKASH.S	27-NOV-08						
		APVD	STEPHEN.P	27-NOV-08						
TOLERANCES UNLESS OTHERWISE SPECIFIED: 0 PLC ±0.2 1 PLC ±0.1 2 PLC ± 3 PLC ± 4 PLC ± ANGLES ±5°		PRODUCT SPEC	NAME							
MATERIAL -		APPLICATION SPEC	ECONOMY TRIMMERS SERIES 416M							
FINISH -		WEIGHT -	SIZE	A3	CAGE CODE	00779	DRAWING NO	C=1623893	RESTRICTED TO	-
CUSTOMER DRAWING			SCALE	5:1	SHEET	1	OF	1	REV	BA

Mouser Electronics

Authorized Distributor

Click to View Pricing, Inventory, Delivery & Lifecycle Information:

[TE Connectivity:](#)

[416MA203P](#)